

Cable Organizer 1U Panel with Brush DataSheet

FIBER4U

For 20 years, Fiber4u has been the prime choice for fast, cost-effective solutions in **Fiber Optics, Rack Cabinets, and Copper** network products.

Partnering with premier domestic and global manufacturers, **Fiber4u** ensures both speed and affordability while maintaining top-notch quality to exceed expectations across **telecommunications, data management and network infrastructure.**



1U ORGANIZER – BRUSH

Fiber4u boasts an extensive lineup of **rack cabinet accessories**, among them the innovative **1U Cable Management Panel with Brush.**

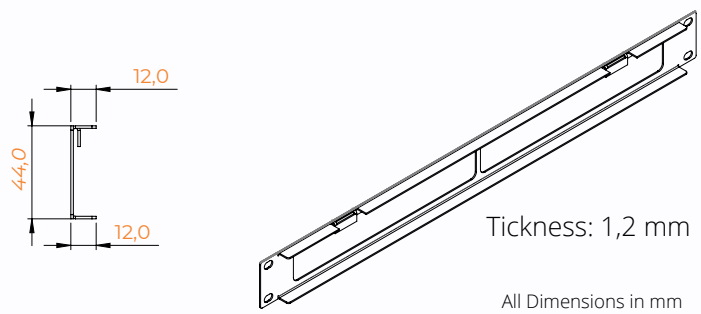
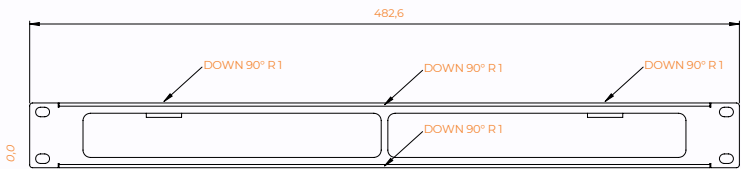
Tailored for **19-inch rack cabinets**, this solution is equipped with brush strips to manage cables while **maintaining airflow.** Exclusive to Fiber4u, it ensures not only optimal performance and longevity but also a **streamlined and efficient cable management system.**

Enhanced Cable Management and Airflow Control by Fiber4u:

- **Hassle-Free Installation:** Organizer come complete with an installation kit, including 4 screws, 4 cage nuts, and 4 washers for hassle-free setup.
- **Durable Construction:** Made from sturdy cold rolled steel with powder coating, ensuring reliability and longevity.
- **Efficient Cable Management:** Equipped with specialized brush strips, this Fiber4u organizer efficiently manages cables while maintaining optimal airflow within your rack cabinet.
- **Seamless Installation:** Crafted with 2 ears for easy installation, organizer seamlessly fits 19-inch networking equipment or cabinets, ensuring compatibility with various setups.
- **Flexible Cable Organization:** Featuring a high-density nylon brush strip, organizing cables is effortless with this Fiber4u solution, providing flexibility and convenience for your setup.
- **Enhanced Dust Reduction:** By minimizing dust accumulation near valuable server equipment, Fiber4u 1U brush cable organizer enhances the efficiency of your cooling system, ensuring optimal performance.
- **Exceptional Durability:** With metal holding sides it offers exceptional durability and stability, ensuring reliable cable management in demanding environments.
- **Versatile Compatibility:** Designed to be compatible with standard 19-inch rack cabinets, organizer seamlessly integrates with existing infrastructure, providing versatile usage options.

Ordering Information:

RAL 7035 (Light Gray) **RAL 9005 (Black)**
RK-AC-10200 **RK-AC-10201**






Tailored for Essential Applications: Fiber4u 1U Cable Organizer with Brush

- **Server Rooms:** Maintain efficient airflow management in server rooms by using the Brush Organizer to route cables while preventing the ingress of dust and debris, ensuring optimal cooling performance for servers and networking equipment.
- **Data Centers:** Enhance cable management and cleanliness in data center environments by implementing the Brush Organizer to create tidy cable pathways while mitigating the risk of dust accumulation and airflow obstruction.
- **Telecom Environments:** Improve cable management and cleanliness in telecom environments by deploying the Brush Organizer to facilitate organized cable routing and airflow management, enhancing the reliability and longevity of telecommunications infrastructure.

Your One-Stop
for Fast, and Cost-Effective
Fiberoptic & Network Solutions!



 www.fiber4u.com
 info@fiber4u.com

 Eyup Sultan Mah.
Gulsu Sok. No:5AA
Sancaktepe Istanbul
Türkiye